

Shampoo Bowls

8400 BACKWASH SHAMPOO BOWL

8400 BACKWASH SHAMPOO BOWL WITH MODEL 522 FIXTURE AND 603 BACKFLOW PREVENTER INSTALLATION AND PLUMBING

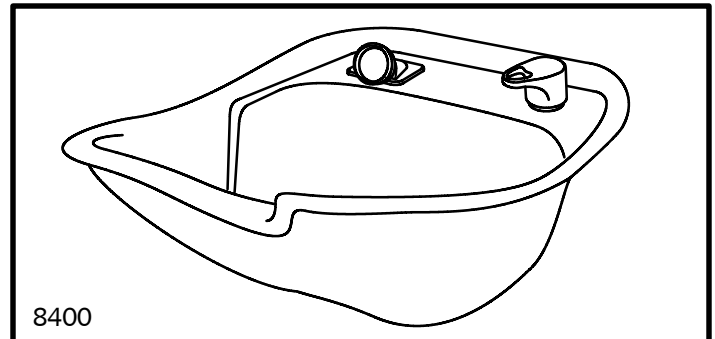
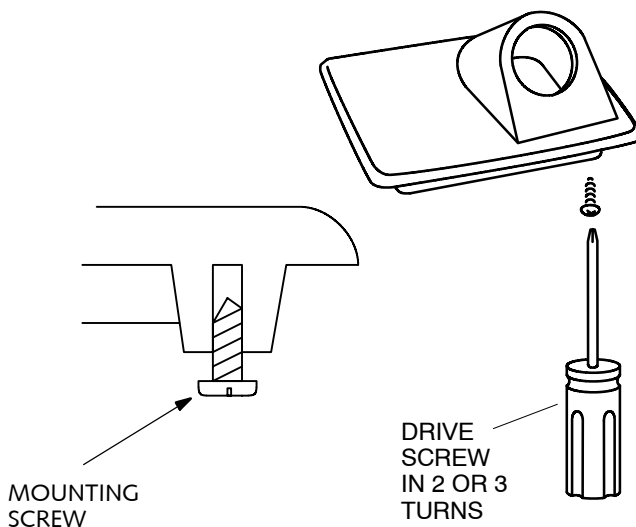
NOTE: Read the instructions through before starting to familiarize yourself with the components.

Any conformance with LOCAL CODES or INSPECTIONS is the RESPONSIBILITY OF THE PURCHASER.

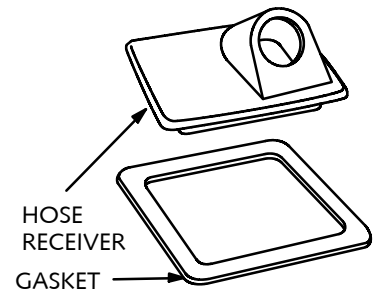
1. Attach the fixture to the bowl according to the instructions packed with the fixture.

ATTACH HOSE RECEIVER TO BOWL (STEPS 2 thru 4).

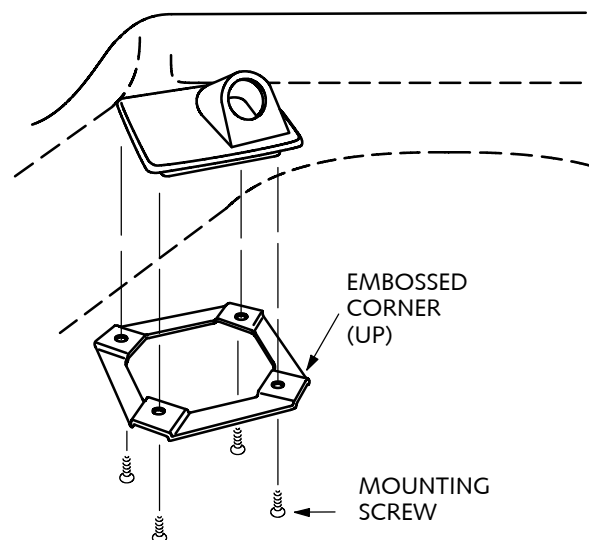
2. To make hose receiver installation easier, complete these steps to cut screw threads in the mounting holes:
 - Take a mounting screw and drive it 2 or 3 turns into one hole.**DO NOT OVERTIGHTEN.**
 - Remove the screw.
 - Repeat for all four (4) mounting holes.



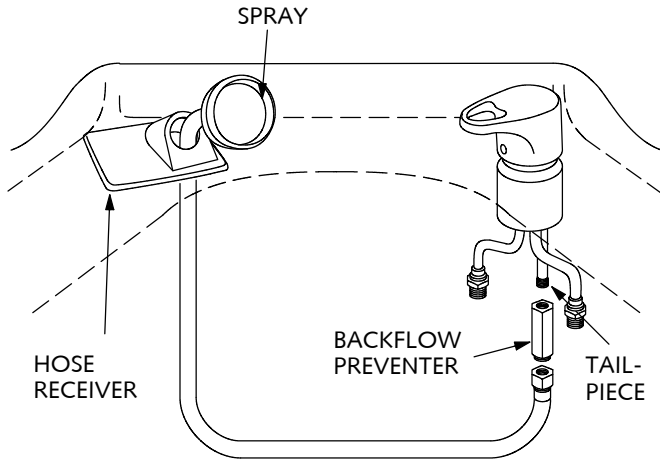
3. Place the gasket over the flange on the bottom of the hose receiver.



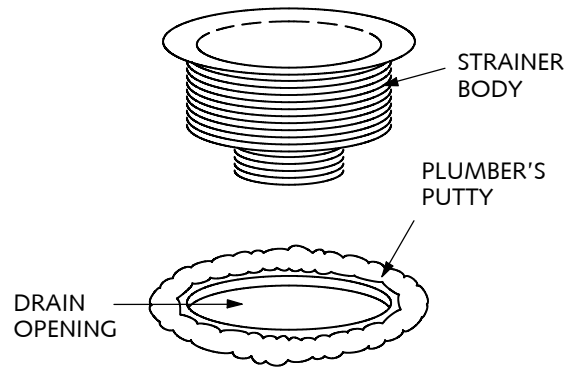
4. Place the hose receiver and gasket in the bowl. Install the Mounting Bracket on the bottom side of the Bowl with four (4) embossed corners facing upward, against the bottom of the Bowl. Secure with four (4) Screws.
- DO NOT OVERTIGHTEN.**



5. Attach the backflow preventer to the fixture tailpiece. Do not overtighten. Place the end of the spray hose with the brass connector through the hole in the hose receiver. Attach the Spray Hose connector to the backflow preventer.

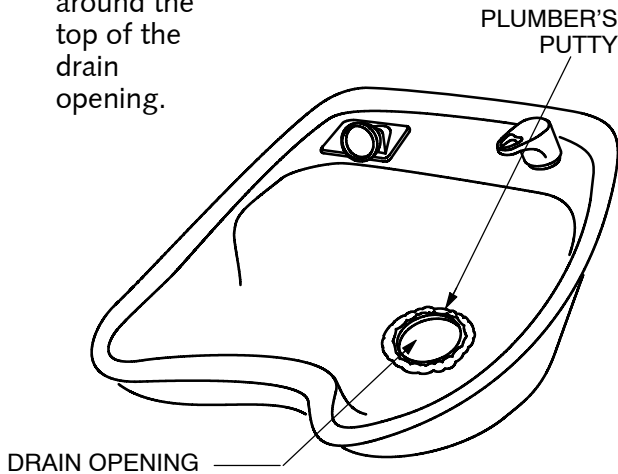


7. Place the strainer body in the opening, and press it into the plumber's putty.

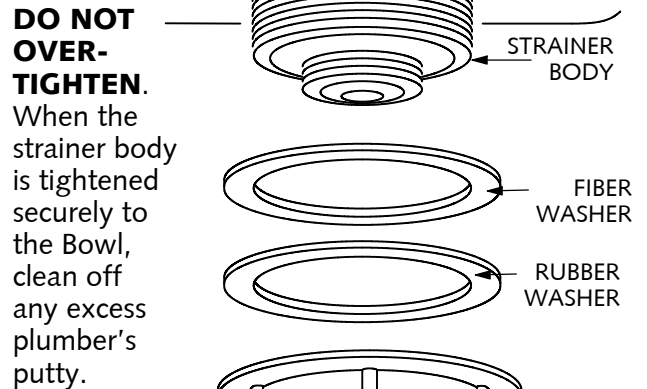


INSTALL THE DRAIN ASSEMBLY (STEPS 6-9)

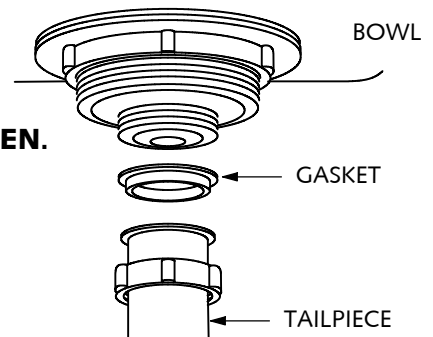
6. Apply a liberal amount of plumber's putty (available at most hardware stores) around the top of the drain opening.



8. From the underside of the Bowl, place the fiber and rubber washers over the strainer body. Secure the strainer body with the nut. **DO NOT OVERTIGHTEN.**



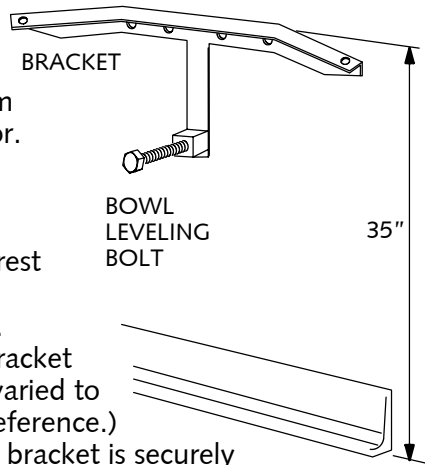
9. Attach the gasket and tailpiece to the strainer body. **DO NOT OVERTIGHTEN.**



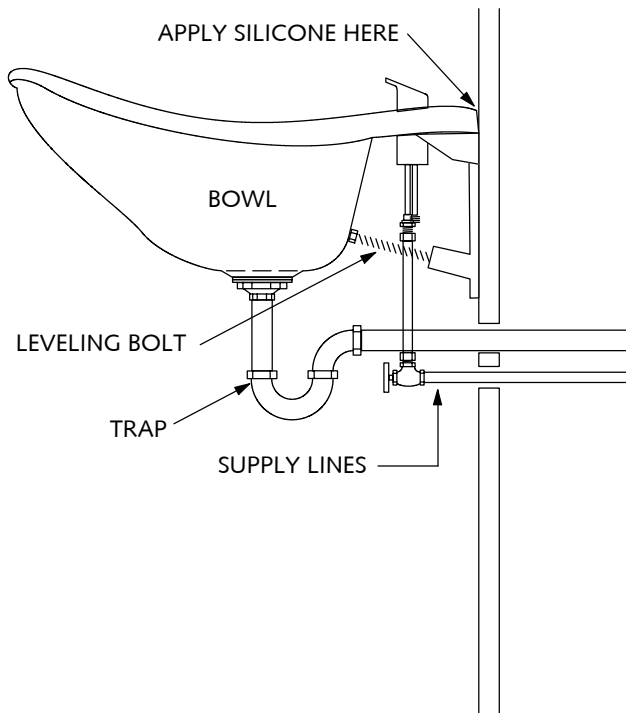
TO INSTALL THE 8400 BOWL IN THE S54K-Q BACKWASH. REFER TO THE INSTALLATION INSTRUCTIONS PACKED WITH THE CABINET.

TO MOUNT THE 8400 BOWL TO THE WALL (STEPS 10 THRU 12)

10. Install the wall bracket so that the top edge is 35" from the finished floor. (This bracket height is suggested to obtain the neckrest height suitable for most stylists. However, the bracket height may be varied to suit personal preference.) Be sure that the bracket is securely fastened to a structural member in the wall. Be sure the bracket is level. Install the leveling bolt into the wall bracket.



11. Check to be sure the bowl is level side-to-side and front-to-back. Connect the fixture to the hot and cold supply lines. Install the trap and connect the drain. Apply a bead of silicone to the back edge of the bowl to seal it to the wall.

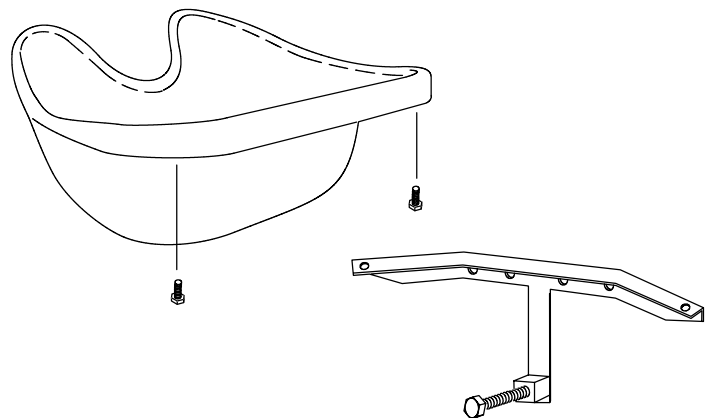


IMPORTANT NOTE:
It is the responsibility of the owner and/or the installer to be sure that the installation meets all local plumbing codes and regulations.

12. Set the bowl onto the wall bracket. Have a helper hold the bowl in place. Fasten the bowl to the bracket with two 1/4-20 bolts supplied.

NOTE:

A bead of silicone type caulk is required between the bowl and the wall to prevent water seepage.



NOTE:

When used with a booth unit, attach the bracket with tee nuts. Use the outer bracket holes as a guide to drill (2) new 5/16" dia. holes.

(The 8400 Bowl Bracket is different from conventional brackets. Two of the pre-drilled holes in the booth unit will not align correctly.)

From the back side of the cabinet front panel, insert the cap tee nuts in the holes. Secure the bracket with the screws that were supplied with the cabinet.

When mounting the bracket on a shampoo bulkhead at the recommended 35" height, drill (5) 5/16" dia. holes. Use the bracket as a guide to mark hole locations.

ALL PLUMBING TO BE PLANNED AND PERFORMED BY A QUALIFIED PLUMBER

ROUGH-IN PLUMBING SPECIFICATIONS.

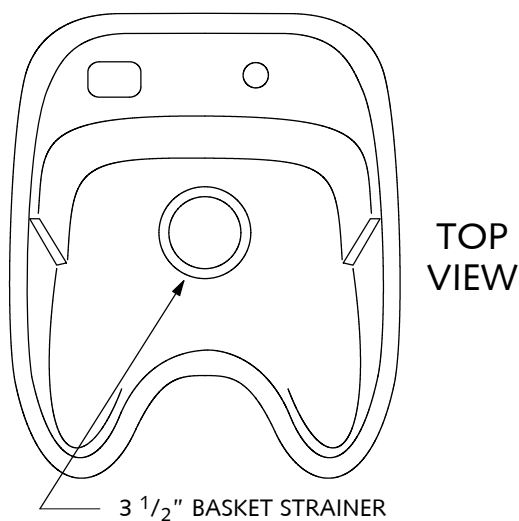
IMPORTANT NOTE:

This shampoo bowl is designed to be used with the Belvedere SR04 and SR24 Siesta Backwash Shampoo Chairs. Use of other chairs is not recommended.

For optimum comfort when the bowl is used with Siesta Backwash Chairs, install the bowl so the neckrest is at 34-3/4" above the finished floor.

If you decide to use this bowl with conventional shampoo chairs, install the bowl with the neckrest at 31".

To mount the bowl at these heights, locate the bowl bracket height as shown in these specifications. These dimensions may vary to suit individual salon owners.



TOP
VIEW

3 1/2" BASKET STRAINER

CLEANING INSTRUCTIONS

Paste wax monthly to preserve and protect against common soils.

With normal care your bowl will last many years.

CLEAN ONLY WITH A NON-ABRASIVE LIQUID CLEANER.

Dow Tub & Tile Cleaner®

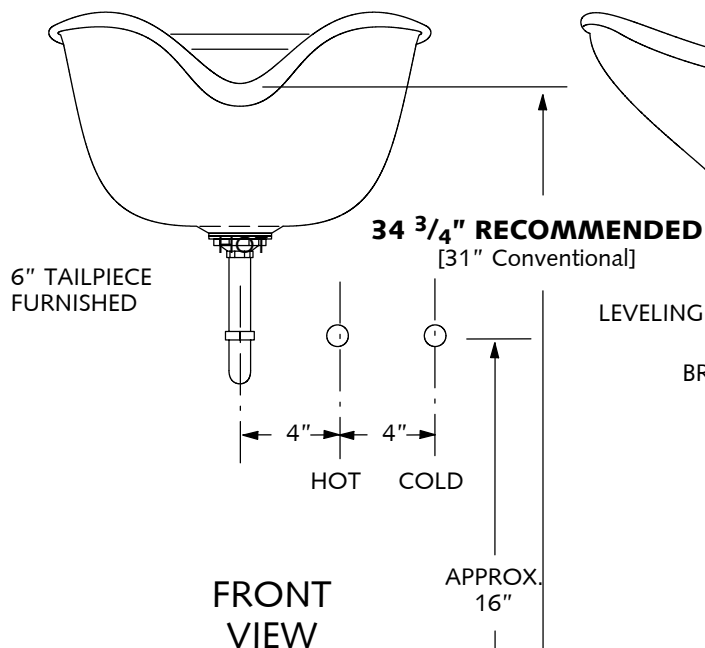
409®

Mr. Clean®

Fantastic®

DO NOT USE HARSH ABRASIVES

These will dull the sparkling surface.



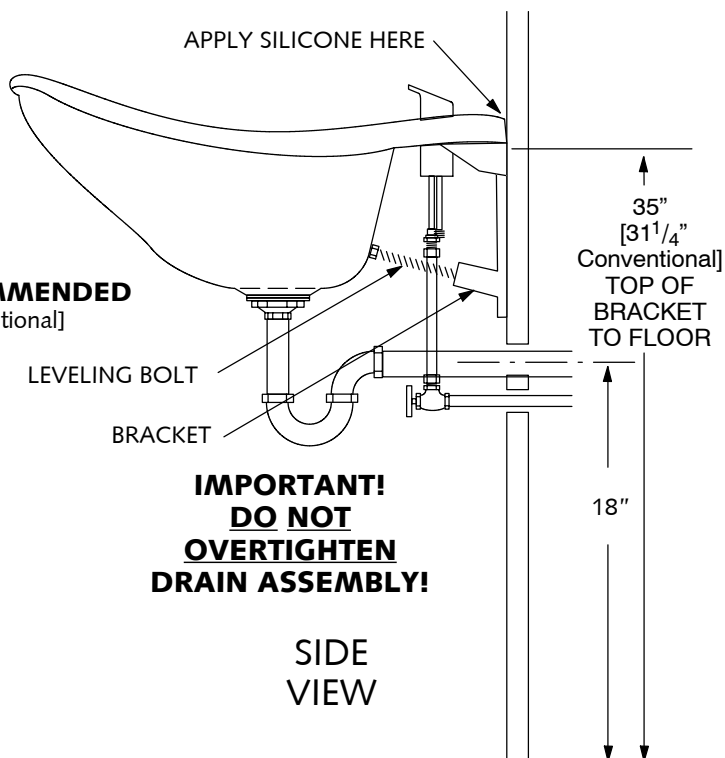
FRONT
VIEW

34 3/4" RECOMMENDED
[31" Conventional]

6" TAILPIECE
FURNISHED

HOT COLD

APPROX.
16"



SIDE
VIEW

**IMPORTANT!
DO NOT
OVERTIGHTEN
DRAIN ASSEMBLY!**

35"
[31 1/4"
Conventional]
TOP OF
BRACKET
TO FLOOR

18"

FINISHED FLOOR LINE