

# WELLNESS BACKWASHES INSTRUCTION SHEET

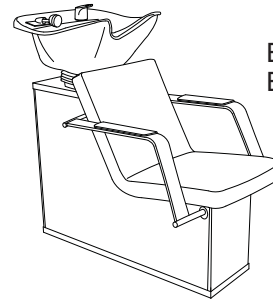
## IMPORTANT NOTE:

Read through ALL the installation instructions before starting!

Save these instructions. When using the unit, always follow basic precautions in these instructions.



BWWSA,  
BWWSA-SSTL



BWWSB,  
BWWSB-SSTL

## RECEIPT AND INSPECTION

This product was securely packed and in good condition when delivered to the carrier.

It is the responsibility of the recipient to inspect the packaging carefully for concealed damage.

Any damage claims must be filed with the carrier within 14 days from receipt of shipment.

Belvedere USA LLC is not responsible for shipping damage. DO NOT return the product without prior authorization from Belvedere. Returns to Belvedere will be refused unless accompanied by a Return Goods Authorization form signed by an agent of Belvedere USA LLC

## WELLNESS BACKWASHES SPECIFICATIONS

A single Wellness backwashes includes: one 8600 porcelain enamel bowl (specify enamel color) with 522 fixture and 603 back flow preventer, strainer and sprayer. Two chair styles, fully upholstered cushions (specify fabric color). Stainless steel cabinet top, front and back door panels and cabinet base and frame. Choice of laminated (HPL) side panels (specify laminate color) or stainless steel side panels. Removable rear door for plumbing access.

### Over All Dimensions, (to top of bowl)

Sofa Backwash: 19" W X 61" L X 38" H

Chair Backwash: 24 5/8" W X 47" L X 38" H

### Cabinet Dimensions

12" W X 42 1/4" D X 26" H

### Bowl Dimensions

18" W X 10" D X 21 7/8" (front to back)

Tilt Adjust: 10° and -5°

### Sofa Dimensions

Height of Seat: 17"

Height of Back: 30"

Outside Width: 19"

Front to Back: 48"

**Shipping Weight:** 230 est.

### Chair Dimensions

Height of Seat: 17"

Height of Back: 30"

Outside Width: 24 5/8"

Inside Width: 20 5/8"

Front to Back: 31 1/2"

**Shipping Weight:** 210 est.

## INSTALLING THE FRAME AND CABINET

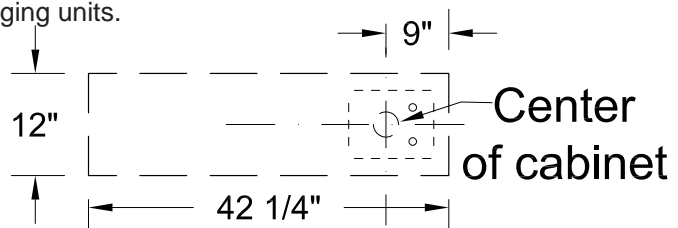
### IMPORTANT NOTE:

It is the responsibility of the purchaser and/or the installer to check local plumbing codes regarding horizontal drains and venting. Local venting codes may prohibit ganging units.

1. Set the cabinet in place. See floor plan. There is a cutout in the bottom of the cabinet for the drain and water line in the floor.

2. Secure the frame to the floor

3. Secure the bowl on the cabinet.  
See bowl mounting installation.



**Foot print of cabinet and frame.**

**COMPLIANCE WITH LOCAL CODES OR INSPECTIONS IS THE RESPONSIBILITY OF THE PURCHASER AND/OR INSTALLER.**

# WELLNESS BACKWASHES INSTRUCTION SHEET

## SHAMPOO BOWL INSTALLATION

### IMPORTANT NOTE:

Read through these instructions before beginning work to familiarize yourself with the various components, Install the fixtures in the bowl before attaching the bowl to the base. You may need to work with a helper to install these units. Any conformance with LOCAL CODES or INSPECTIONS is the RESPONSIBILITY OF THE PURCHASER,

1. Install the hose receiver. To make hose receiver installation easier, complete these steps to cut screw threads in the hose receiver mounting holes:

Take a mounting screw and drive it 2 or 3 turns into one hole. DO NOT OVER TIGHTEN.

Remove the screw.

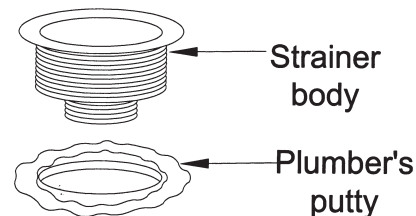
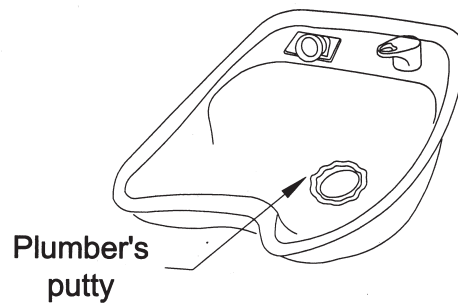
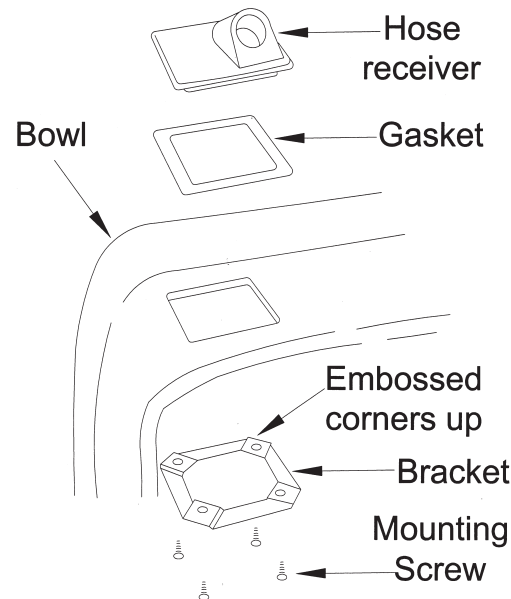
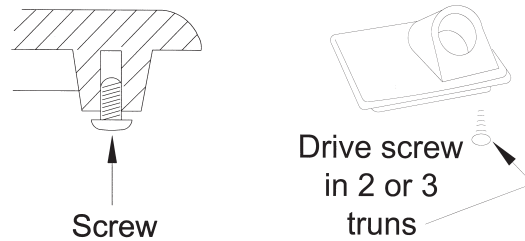
Repeat for all four (4) mounting holes.

2. Place the hose receiver gasket on the bottom of the hose receiver. Place the hose receiver onto the bowl.

3. Fasten the hose receiver to the bowl with four screws and the bracket. Be sure the embossed covers of the bracket are against the underside of the bowl facing up.

4. Apply a liberal amount of plumber's putty (available at most hardware stores) around the top of the drain opening.

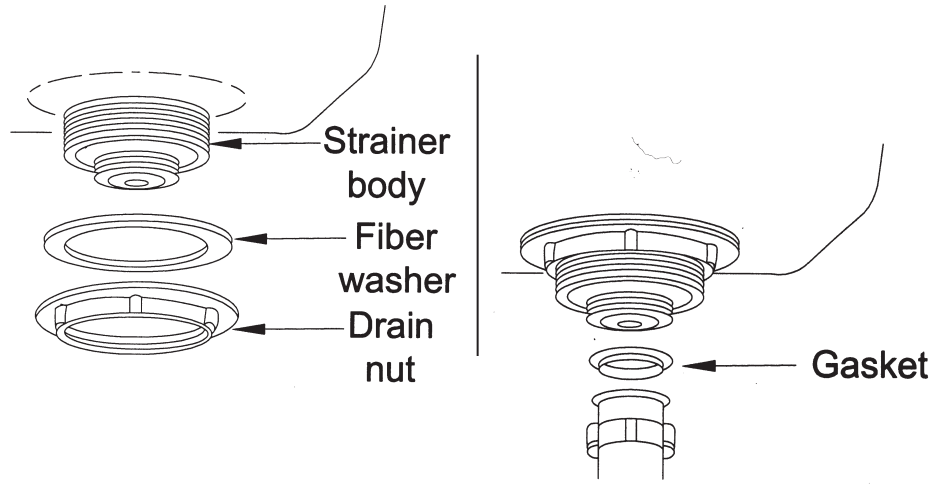
5. Place the strainer body in the opening, and press it into the plumber's putty.



COMPLIANCE WITH LOCAL CODES OR INSPECTIONS IS THE RESPONSIBILITY OF THE PURCHASER AND/OR INSTALLER.

# WELLNESS BACKWASHES INSTRUCTION SHEET

6. From the underside of the bowl, place the fiber washer over the strainer body. Secure the strainer body with the nut. **DO NOT TIGHTEN.** When the strainer body is tightened securely to the bowl, clean off any excess plumber's putty.



7. Attach the gasket and tailpiece to the strainer body. **DO NOT OVER TIGHTEN.**

8. Install the single-handle fixture.

9. Remove the blue and red button from the front of the handle.

10. Using a small, flat blade screwdriver, loosen the set screw in the handle and lift the handle off of the fixture.

11. Apply a bead of silicone sealer around the fixture hole in the bowl.

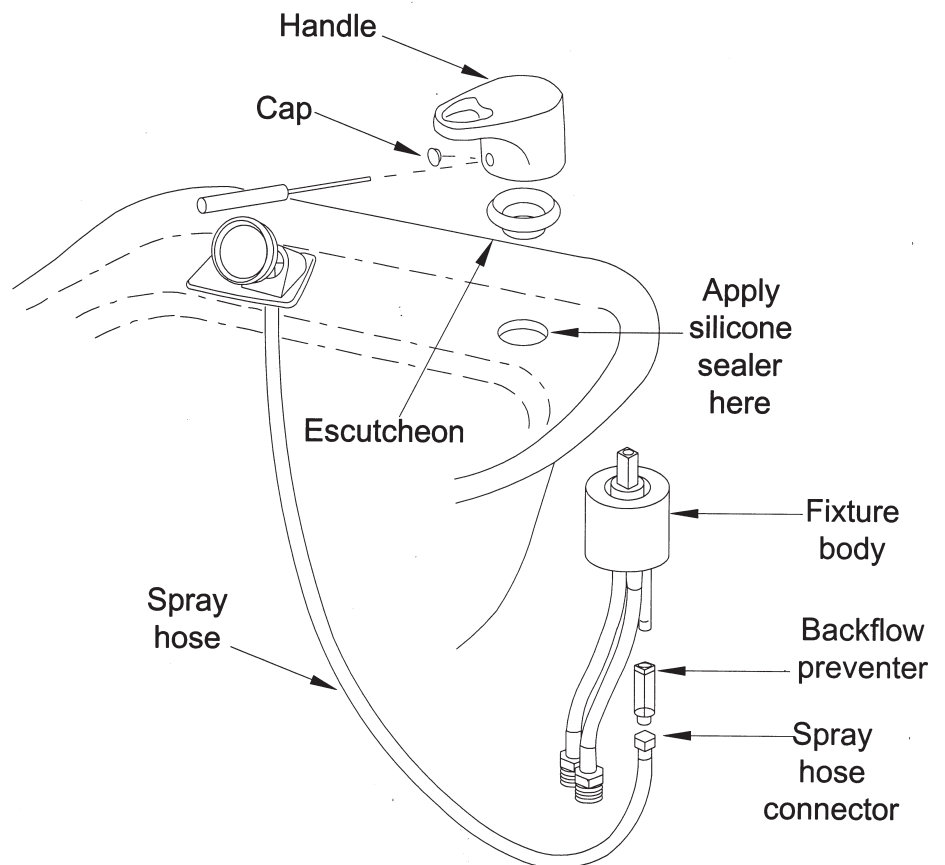
12. Place the fixture body on the underside of the fixture hole.

13. From the top side of the bowl, screw the escutcheon onto the fixture.

14. Place the handle onto the fixture. Tighten the set screw located in the hole for the button.

15. Replace the button with the red side to the left, blue side to the right.

16. Connect the hot and cold supply lines.



## IMPORTANT NOTE:

To prevent distorting or collapsing the inlet hose on the fixture, use a wrench to hold the connector fitting on the inlet hose when tightening the supply line connection.

## IMPORTANT NOTE:

Code approved flexible reinforced connector hose or pipes **MUST** be used to connect the fixture to the hot and cold supply studs.

**COMPLIANCE WITH LOCAL CODES OR INSPECTIONS IS THE RESPONSIBILITY OF THE PURCHASER AND/OR INSTALLER.**

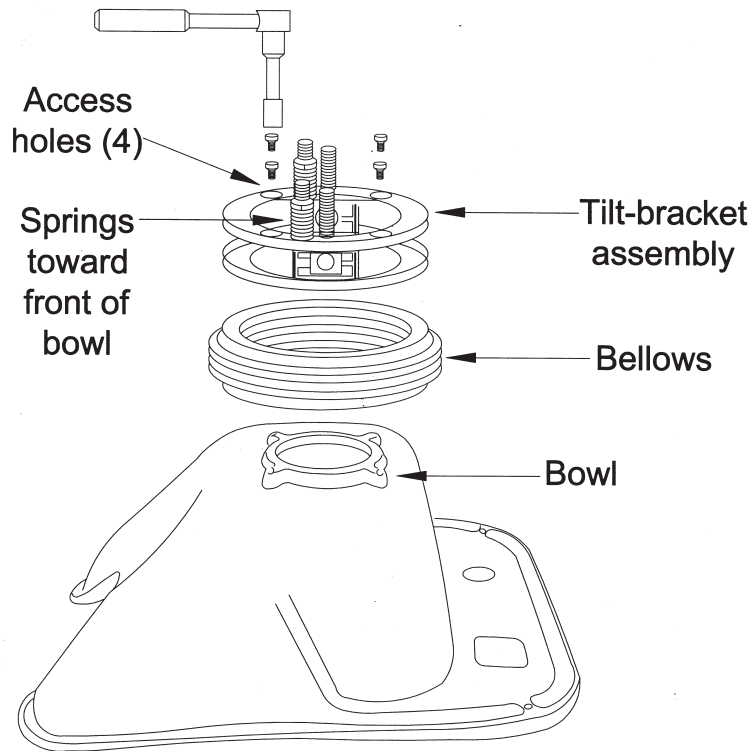
# WELLNESS BACKWASHES INSTRUCTION SHEET

17. Assemble the bowl, bellows and tilt bracket assembly.

18. Stretch the bellows over the tilt bracket assembly.

19. Align the tilt bracket assembly and bellows with four mounting holes on the bottom of the bowl. The spring should be oriented toward the front of the bowl.

20. Fasten the tilt bracket and bellows to the bowl with four hex head bolts provided. A 1/4" drive or 3/8" drive ratchet wrench with an extension and 7/16" socket will make this easier. Note that there are four large access holes in the spring side of the bracket assembly.

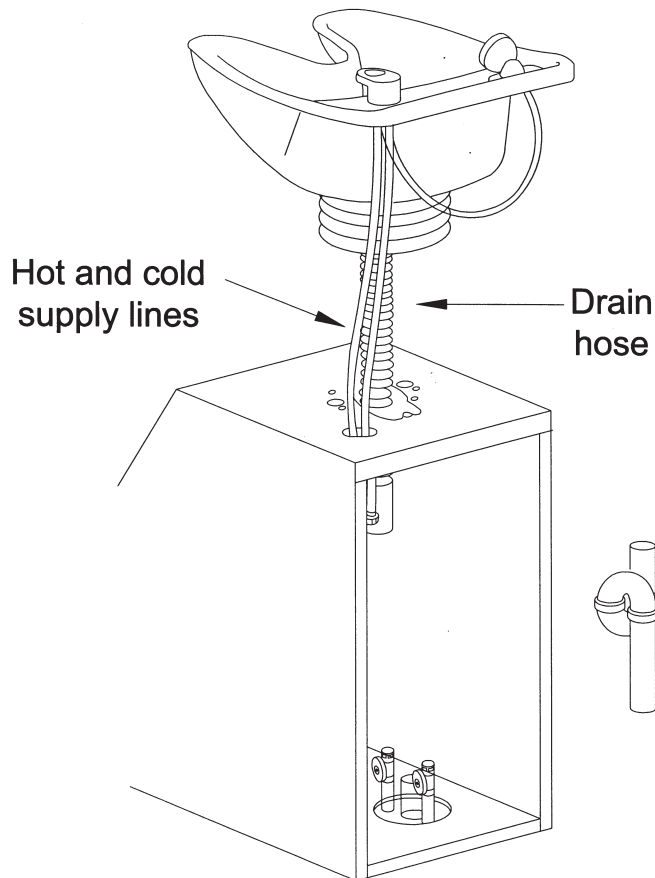
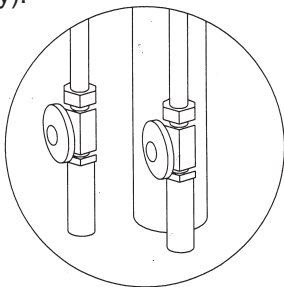


## IMPORTANT:

It is the responsibility of the plumber/installer and the owner to make certain that the installation meets and conforms to all prevailing local codes.

Connect the drain hose to the trap. (Obtain trap locally).

Connect the hot and cold supply lines to shut off valves. (obtain shut off valves locally).

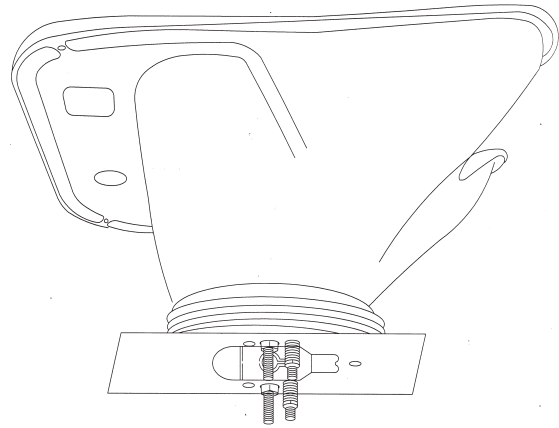


COMPLIANCE WITH LOCAL CODES OR INSPECTIONS IS THE RESPONSIBILITY OF THE PURCHASER AND/OR INSTALLER.

# **WELLNESS BACKWASHES INSTRUCTION SHEET**

## **ADJUSTING THE BOWL TENSION**

Tighten or loosen hex-nuts to adjust bowl tilt tension.



## **WARRANTY**

Belvedere USA LLC warrants its products to be free from defects in material and workmanship for a period listed below (except misuse or mishandling) from the date of delivery to the customer. The Company's obligation and purchaser's remedy pursuant to this warranty are limited to repair or replacement, at the company's option, F.O.B. shipping point. Because commercial standards allow color variation over which the Company has no control, this warranty does not extend to color, grain or texture. Fabrics are not warranted against fading, staining, soiling, crushing or wear, all of which are predominately influenced by user-created environment.

Petroleum-based cleaning solvents are harmful to fabrics and their use will cause the warranty to be VOID. This warranty applies only to the spa and salon originally purchasing from an authorized company representative. Claims should be made through the authorized representative from whom the equipment was purchased. Belvedere has the right to request photographs or other objective evidence in determining warranty application.

### **General Terms:**

- Two year parts and labor on upholstery.
- Two years parts and labor on other parts.

### **Porcelain Enamel Bowls:**

- Five year on enamel on the bowl. NOT GUARANTEED against damage from diamonds.
- One year on 522A-14 fixture & 603 Backflow Preventer.

### **Service Parts:**

Belvedere USA LLC reserves the right to limit the number of years service parts are available.

**WARNING:** Conformance with LOCAL CODES or INSPECTIONS is the RESPONSIBILITY of the PURCHASER. Modifying, cutting or altering ANY internal plumbing or other components will VOID THE WARRANTY!

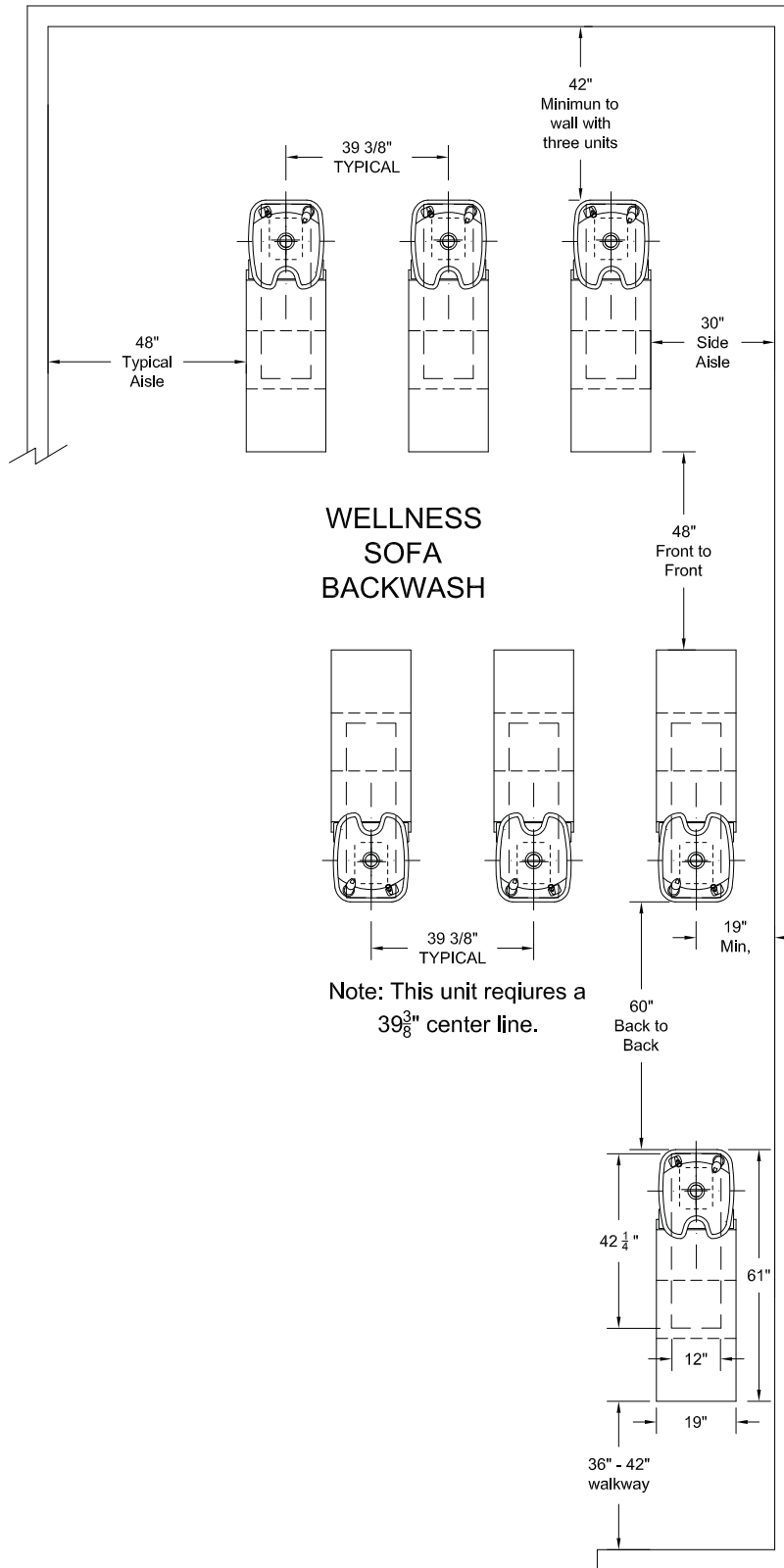
### **The Following Exclusions Apply:**

1. Altering internal components including plumbing systems voids the warranty.
2. No warranty coverage for misuse, mishandling or incorrect installation.
3. No warranty on plastic against breakage.
4. No warranty on fabric for color, grain or texture.
5. Fabrics are not warranted against fading, staining, soiling, crushing wear or tearing.
6. No warranty if petroleum-based cleaning solvents are used on fabrics and other surfaces.

**COMPLIANCE WITH LOCAL CODES OR INSPECTIONS IS THE RESPONSIBILITY OF THE PURCHASER AND/OR INSTALLER.**

# WELLNESS BACKWASHES INSTRUCTION SHEET

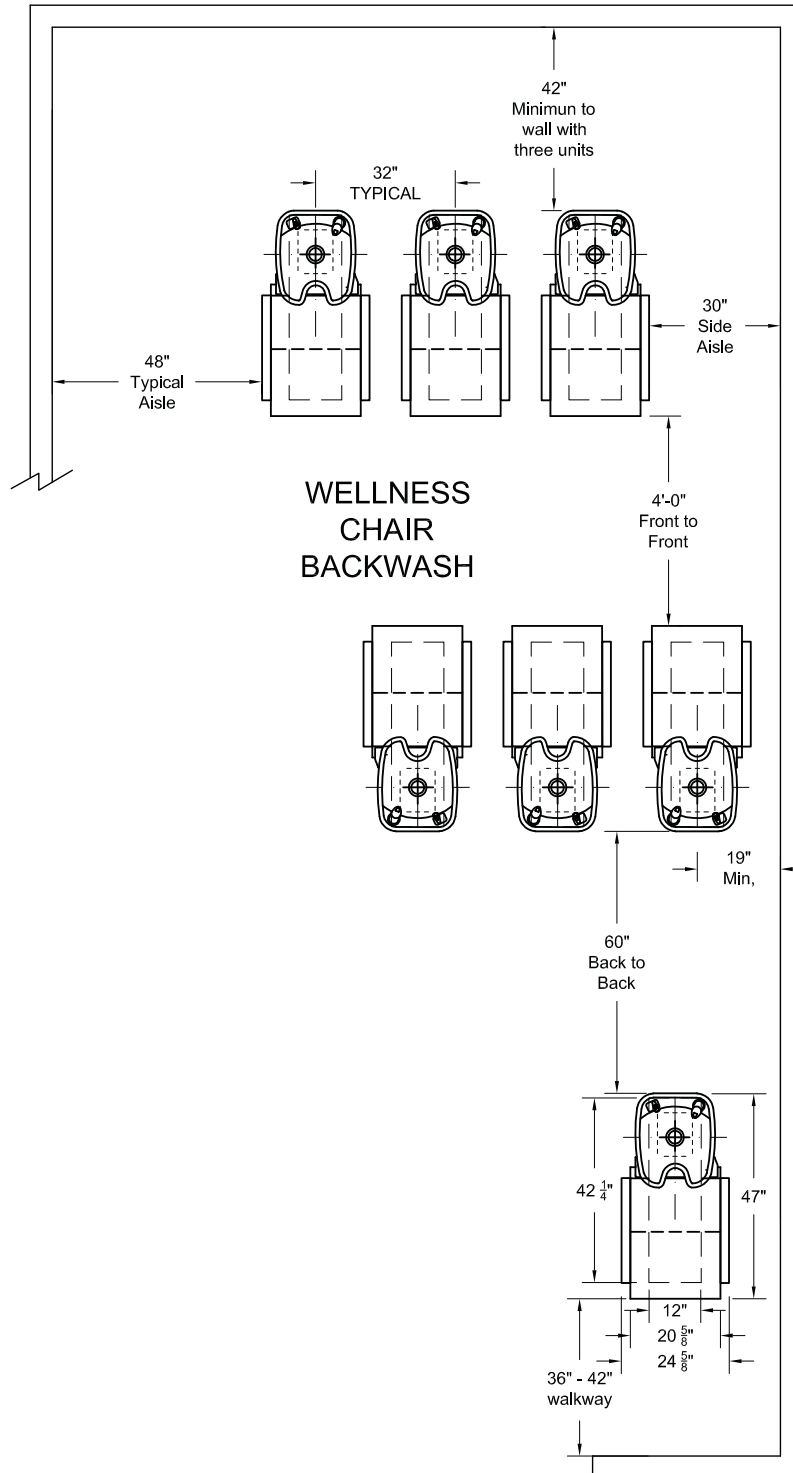
## WELLNESS SOFA PLANNING GUIDE



COMPLIANCE WITH LOCAL CODES OR INSPECTIONS IS THE RESPONSIBILITY OF THE PURCHASER AND/OR INSTALLER.

# WELLNESS BACKWASHES INSTRUCTION SHEET

## WELLNESS CHAIR PLANNING GUIDE



COMPLIANCE WITH LOCAL CODES OR INSPECTIONS IS THE RESPONSIBILITY OF THE PURCHASER AND/OR INSTALLER.