

Shampoo Bowls

8400 BACKWASH SHAMPOO BOWL

8400 BACKWASH SHAMPOO BOWL WITH VACUUM BREAKER AND MODEL 622 FIXTURE INSTALLATION AND PLUMBING

IMPORTANT NOTE ON MOUNTING HEIGHT:

To use with Siesta Backwash chairs (SR04, SR24, mount bowl at 35":

To use with conventional shampoo chairs or Siesta Conventional chair, mount bowl at 31".

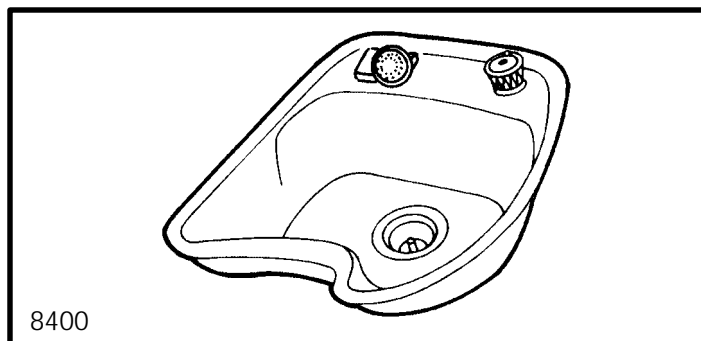
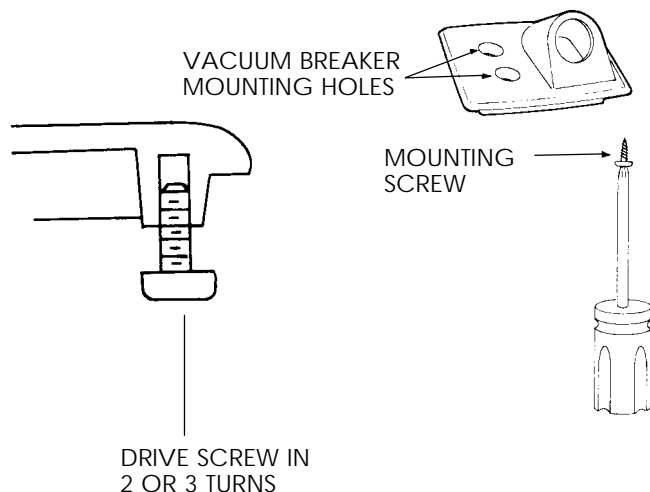
1. Attach the fixture to the bowl according to the instructions packed with the fixture.

TO ATTACH HOSE RECEIVER TO BOWL (STEPS 2 thru 6).

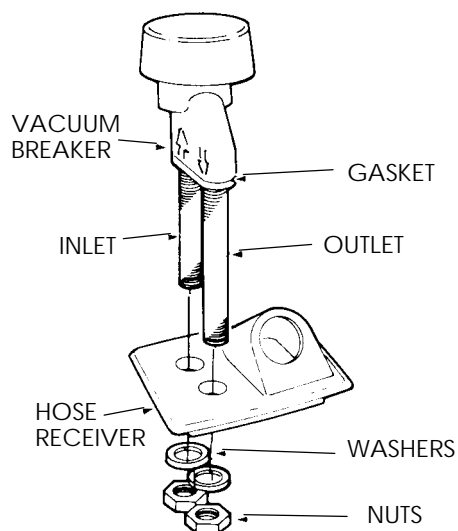
2. To make hose receiver installation easier, complete these steps to cut screw threads in the mounting holes:
 - Take a mounting screw and drive it 2 or 3 turns into one hole.
 - DO NOT OVERTIGHTEN.**
 - Remove the screw.
 - Repeat for all four (4) mounting holes.

If the bowl is not equipped with a vacuum breaker, proceed to Step 4.

***NOTE:** If you ordered a vacuum breaker, your hose receiver will have two holes for mounting the vacuum breaker.



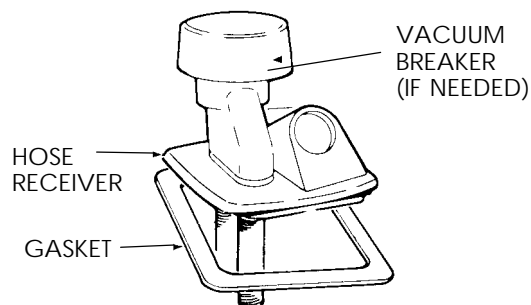
3. Remove the two (2) hex-nuts and washers from the vacuum breaker pipes. Place the vacuum breaker pipes through the holes in the hose receiver as shown. Secure the vacuum breaker to the hose receiver with the washers and hex-nuts. **DO NOT OVERTIGHTEN.**



NOTE: Install the vacuum breaker as shown.

If the vacuum breaker is installed backwards it will interfere with the Whiz@Spray.

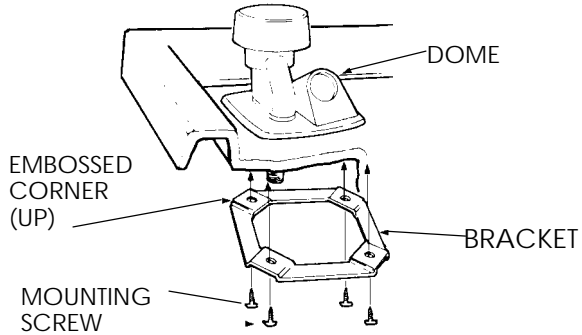
4. Place the gasket over the flange on the bottom of the hose receiver.



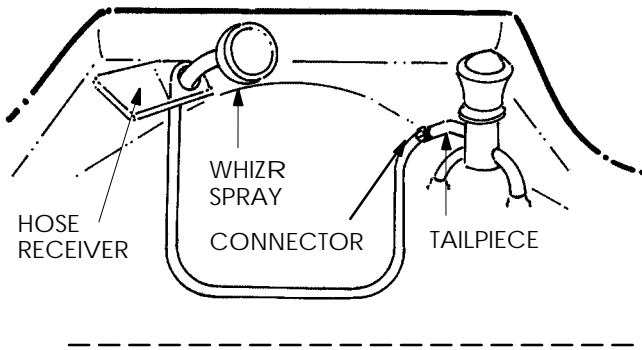
Belvedere USA Corporation

A wholly owned subsidiary of The Wella Corporation
One Belvedere Boulevard, Belvedere, Illinois 61008
Printed in U.S.A. E.C.O. 6641 4000922 Rev. 10-01

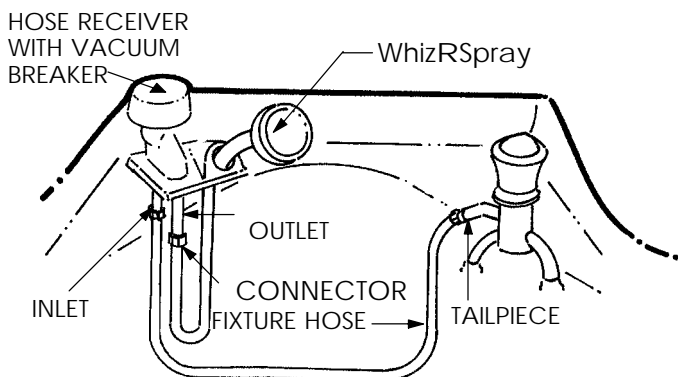
5. Place the hose receiver in the bowl with the large hole in the dome facing the front of the bowl. Install the mounting bracket on the bottom side of the bowl with four (4) embossed corners facing upward, against the bottom of the bowl. Secure with four (4) mounting screws. **DO NOT OVERTIGHTEN.**



6. If your bowl *is not* equipped with a vacuum breaker attach the WhizRSpray hose connector to the fixture tailpiece.

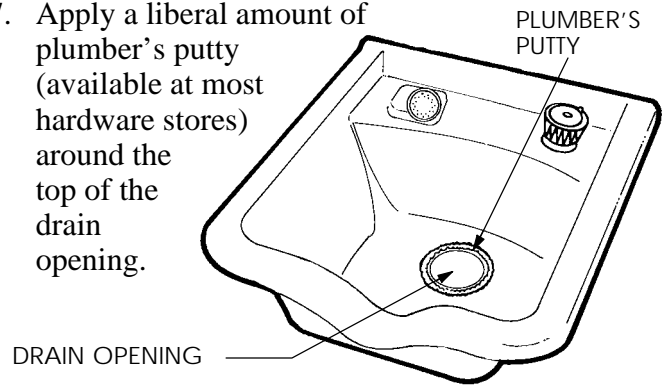


If your bowl *is* equipped with a vacuum breaker, connect one end of the fixture hose to the inlet side of the vacuum breaker. Connect the other end to the fixture tailpiece. Attach the WhizRSpray hose connector to the vacuum breaker outlet.

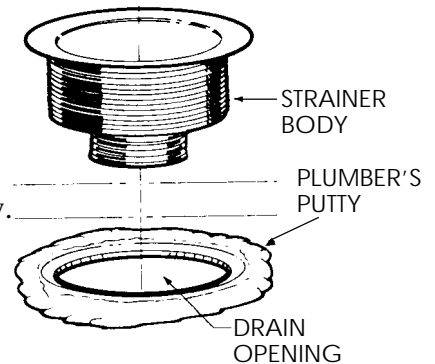


INSTALLING THE DRAIN ASSEMBLY (STEPS 7-10)

7. Apply a liberal amount of plumber's putty (available at most hardware stores) around the top of the drain opening.

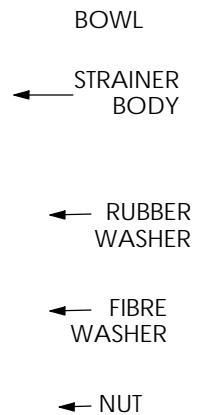


8. Place the strainer body in the opening, and press it into the plumber's putty.

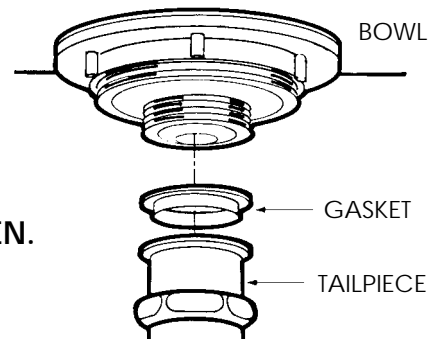


9. From the underside of the bowl, place the fibre and rubber washers over the strainer body. Secure the strainer body with the nut. **DO NOT OVERTIGHTEN.**

When the strainer body is tightened securely to the bowl, clean off any excess plumber's putty.



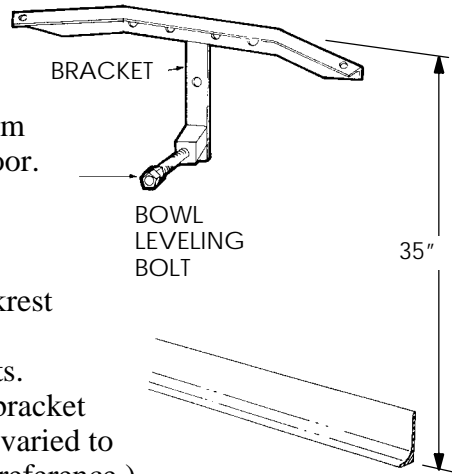
10. Attach the gasket and tailpiece to the strainer body. **DO NOT OVERTIGHTEN.**



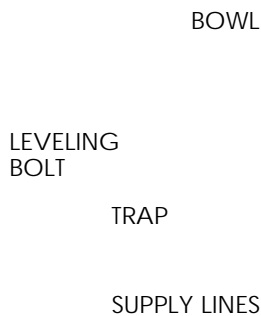
TO INSTALL THE 8400 BOWL IN THE S54K-Q BACKWASH. REFER TO THE INSTALLATION INSTRUCTIONS PACKED WITH THE CABINET.

TO MOUNT THE 8400 BOWL TO THE WALL (STEPS 11 THRU 13)

11. Install the wall bracket so that the top edge is 35" from the finished floor. (This bracket height is suggested to obtain the neckrest height suitable for most stylists. However, the bracket height may be varied to suit personal preference.) Be sure that the bracket is securely fastened to a structural member in the wall. Be sure the bracket is level. Install the leveling bolt into the wall bracket.

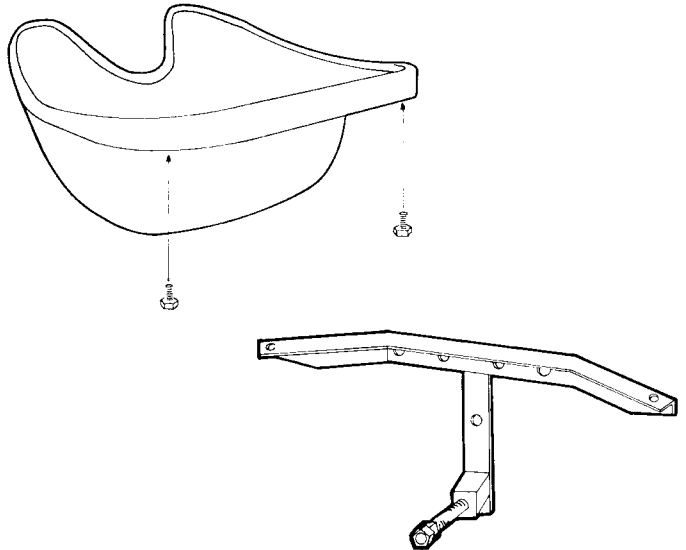


13. Check to be sure the bowl is level side-to-side and front-to-back. Connect the fixture to the hot and cold supply lines. Install the trap and connect the drain.



12. Set the bowl onto the wall bracket. Have a helper hold the bowl in place. Fasten the bowl to the bracket using two (2) 1/4-20 bolts supplied.

NOTE:
A bead of silicone type caulk is required between the bowl and the wall to prevent water seepage.



NOTE:
When used with a booth unit, attach the bracket with tee nuts. Use the outer bracket holes as a guide to drill (2) new 5/16" dia. holes. (The 8400 Bowl Bracket is different from conventional brackets. Two of the pre-drilled holes in the booth unit will not align correctly.) From the back side of the cabinet front panel, insert the cap tee nuts in the holes. Secure the bracket with the screws that were supplied with the cabinet.

When mounting the bracket on a shampoo bulkhead at the recommended 35" height, drill (5) 5/16" dia. holes. Use the bracket as a guide to mark hole locations.

IMPORTANT NOTE:

It is the responsibility of the owner and/or the installer to be sure that the installation conforms to all local plumbing codes and regulations.

ALL PLUMBING TO BE PLANNED AND PERFORMED BY A QUALIFIED PLUMBER

ROUGH-IN PLUMBING SPECIFICATIONS.

This shampoo bowl is designed for optimum comfort when the bowl neckrest is at 31". However, this may vary to suit individual salon owners.
SEE NOTE BELOW.

Belvedere Recommends a bowl neckrest height of 31".

To mount the bowl at this height, simply locate the bowl bracket height as shown in these specifications.

TOP VIEW

CLEANING INSTRUCTIONS

Paste wax monthly to preserve and protect against common soils.

With normal care your bowl will last many years.

CLEAN ONLY WITH A NON-ABRASIVE LIQUID CLEANER.

Dow Tub & Tile Cleaner® 409®
Mr. Clean® Fantastic®

DO NOT USE HARSH ABRASIVES

These will dull the sparkling surface.

See back page for rough-in specifications.

3 1/2" BASKET STRAINER

6" TAILPIECE
FURNISHED

HOT COLD

34 3/4"
RECOMMENDED

BRACKET

LEVELING
BOLT

4" 4"

APPROX.
16"

**IMPORTANT!
DO NOT
OVERTIGHTEN
DRAIN ASSEMBLY!**

35"
TOP OF
BRACKET
TO FLOOR

18"

FRONT VIEW

SIDE VIEW

FINISHED FLOOR LINE
