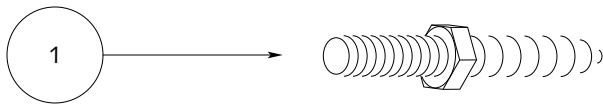
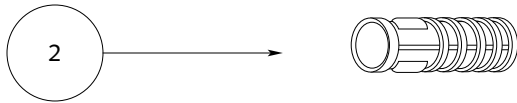


PLUSH BACKWASH



Hanger bolt or other fastener suitable for floor construction - obtain locally. 4 required.



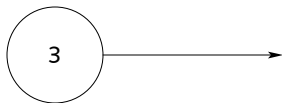
Lead anchor or other fastener suitable for masonry floor construction - obtain locally.

NOTE: Because we cannot anticipate all types of floor constructions, the fasteners required to hold this unit in place MUST be obtained locally. Each unit requires four (4) fasteners.

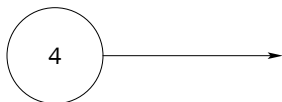
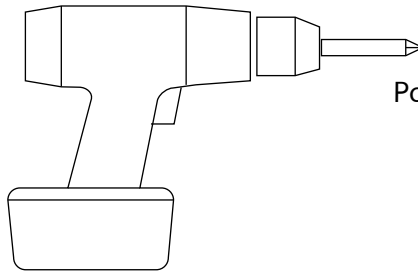
Different floor constructions will require different fasteners. If you are not certain which type of fastener to use, consult with your contractor.

IMPORTANT! You MUST fasten this unit to the floor. The plumbing connections alone WILL NOT hold the unit in place.

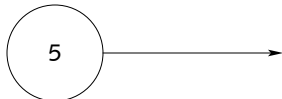
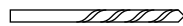
IT IS THE RESPONSIBILITY OF THE INSTALLER AND/OR THE OWNER TO MAKE CERTAIN THAT THE INSTALLATION CONFORMS TO ALL PREVAILING LOCAL AND STATE CODES.



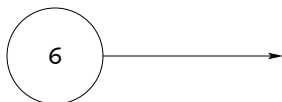
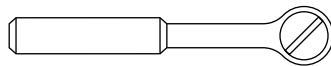
Power drill - cordless recommended.



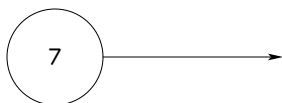
Drill to fit locally obtained fastener.



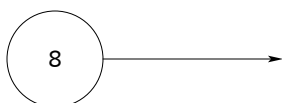
3/8" - or 1/2" -drive ratchet wrench.



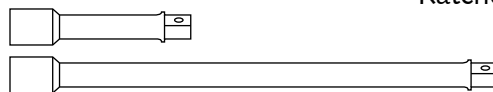
7/16" socket.



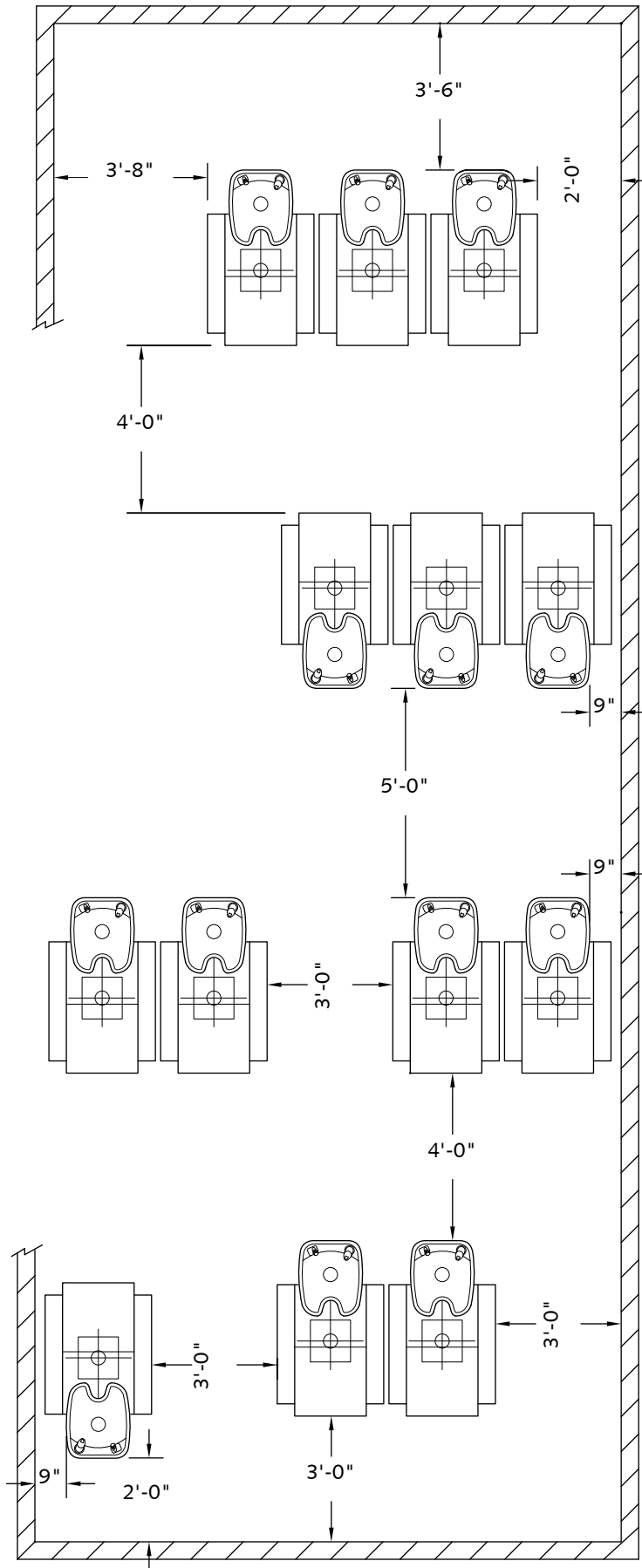
1/2" extra-deep socket.



Ratchet wrench extensions.



Produced by: J. Baer	Date: 02/09	Amended:	Version: 1	Backwash System	Plush
----------------------	-------------	----------	------------	-----------------	-------

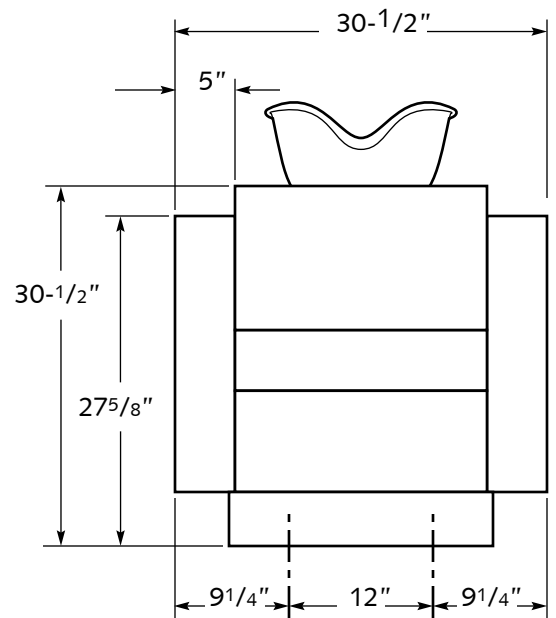
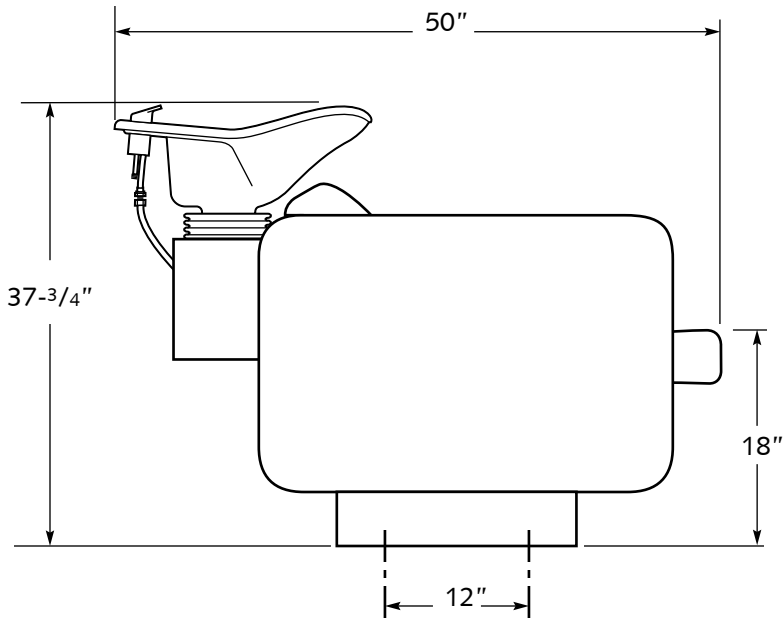
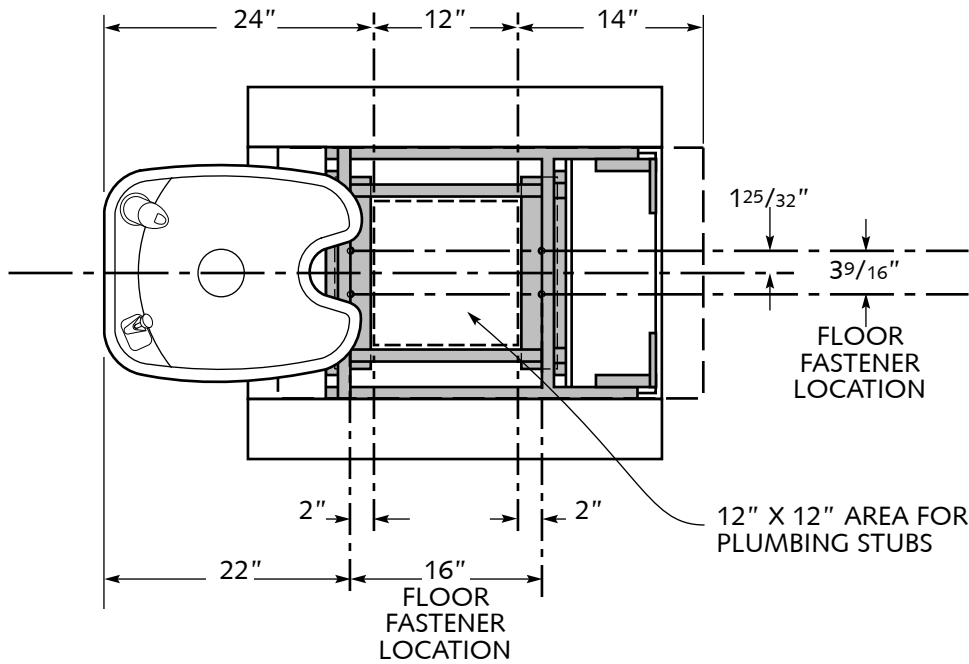


IMPORTANT! AISLE SPACINGS SHOWN MUST BE MAINTAINED!

NOT TO SCALE
REFER TO MARKED DIMENSIONS

Produced by: J. Baer	Date: 02/09	Amended:	Version: 1	Backwash System	Plush
----------------------	-------------	----------	------------	-----------------	-------

IMPORTANT: When designing the floor plan for the salon, be sure to locate the plumbing stubs from the floor in the 12" x 12" area as shown below.



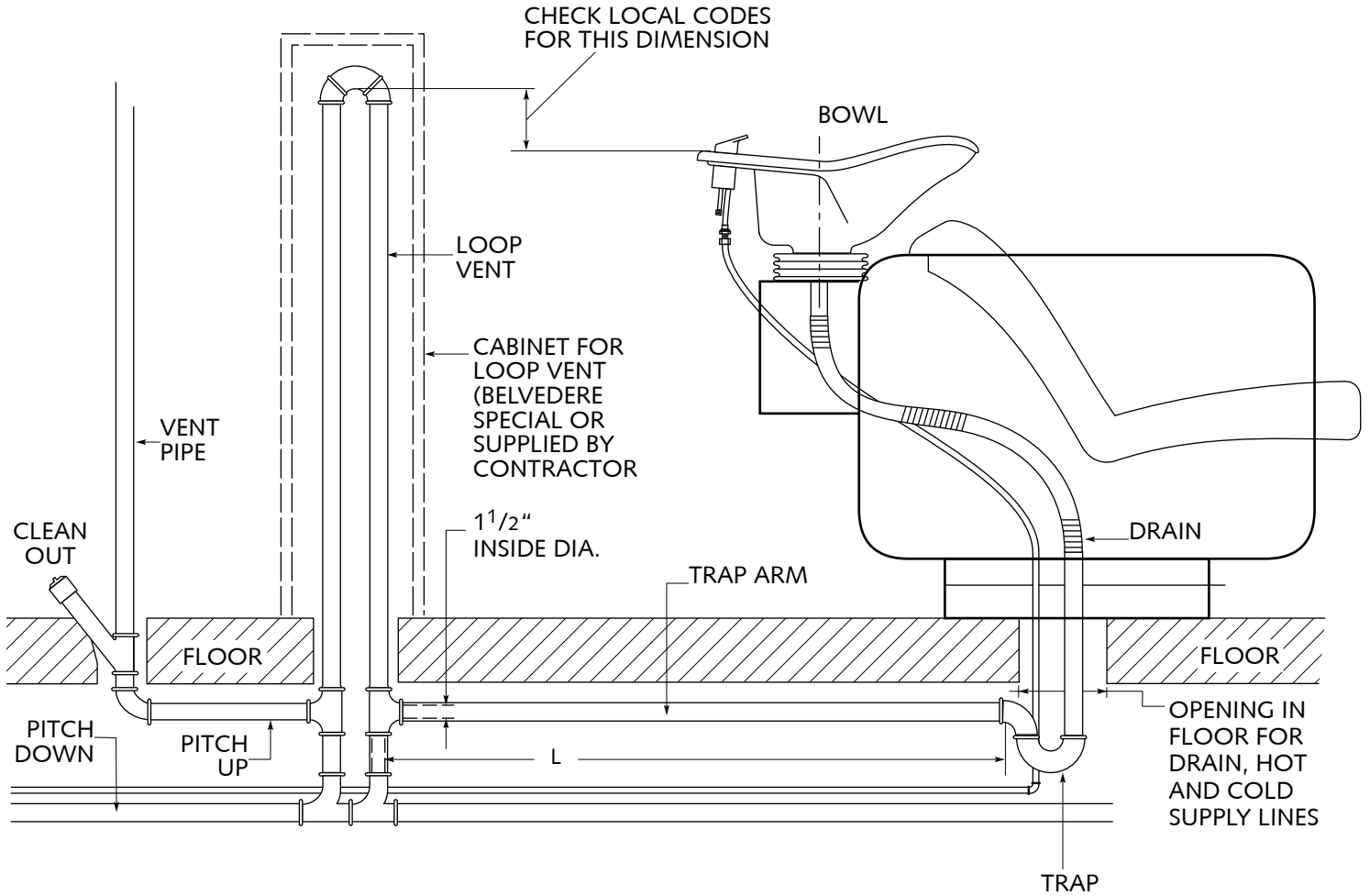
Produced by: J. Baer	Date: 02/09	Amended:	Version: 1	Backwash System	Plush
----------------------	-------------	----------	------------	-----------------	-------

IMPORTANT NOTES:

IT IS THE RESPONSIBILITY OF THE PURCHASER OR THE INSTALLER TO CHECK LOCAL PLUMBING CODES REGARDING HORIZONTAL DRAINS AND VENTING. LOCAL CODES MAY PROHIBIT GANGING UNITS.

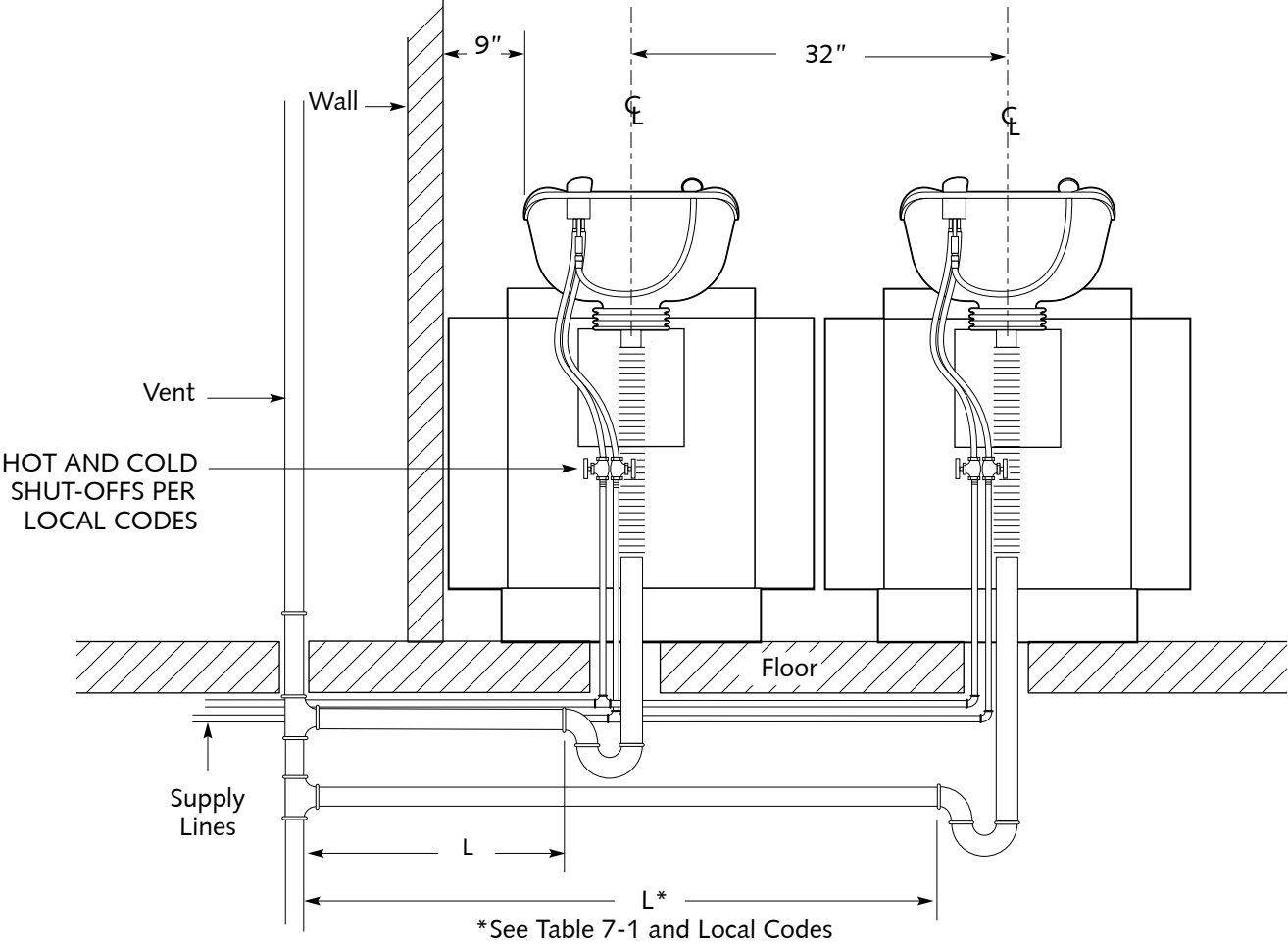
Please read through these instructions before beginning work to familiarize yourself with the various components. You may need to work with a helper to install this unit.

SUGGESTED LAYOUT FOR LOOP VENT



Trap Arm Dia.	Trap Arm Length
1 1/2"	3 1/2'
2"	5'
3"	6'

Produced by: J. Baer	Date: 02/09	Amended:	Version: 1	Backwash System	Plush
----------------------	-------------	----------	------------	-----------------	-------

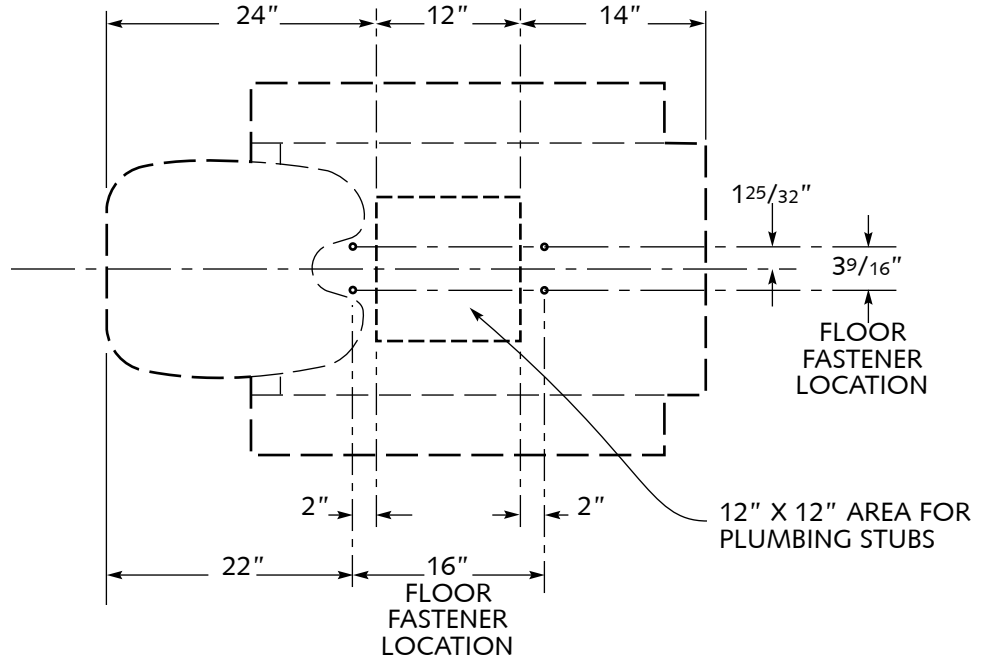


Trap Arm Dia.	Trap Arm Length
1 1/2"	3 1/2'
2"	5'
3"	6'

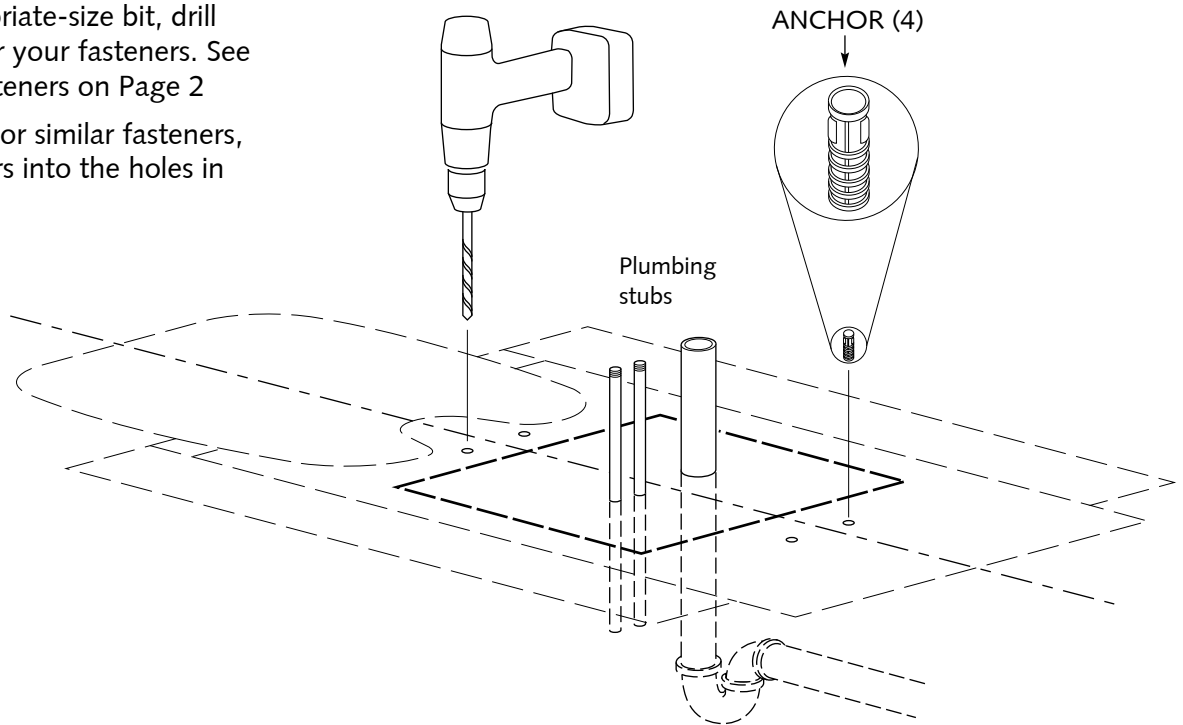
Produced by: J. Baer	Date: 02/09	Amended:	Version: 1	Backwash System	Plush
----------------------	-------------	----------	------------	-----------------	-------

INSTALL THE CHAIR

1. Determine the location for your Plush Backwash units. See your floor plan.
2. Measure and mark fastener hole locations on floor. Use the plan below. Measure carefully.



3. Using an appropriate-size bit, drill four (4) holes for your fasteners. See NOTE about fasteners on Page 2
4. If using anchors or similar fasteners, insert the anchors into the holes in the floor.

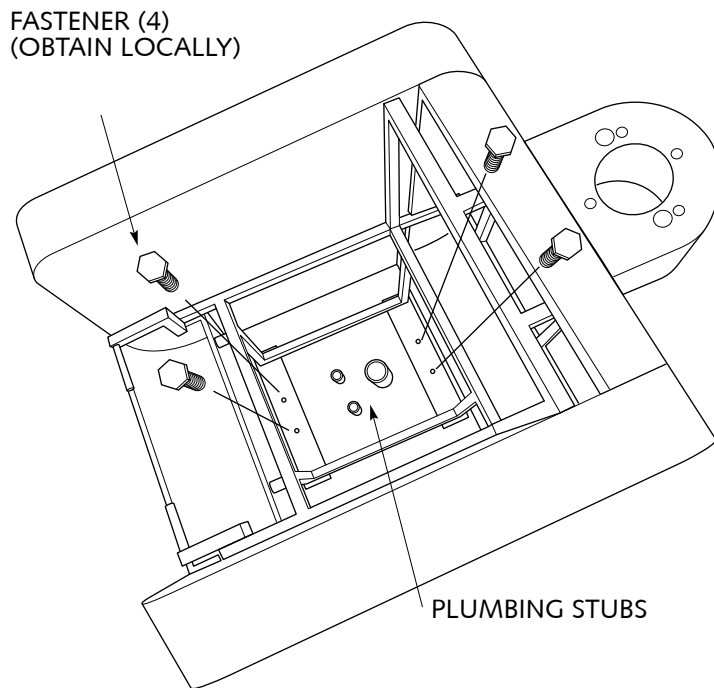
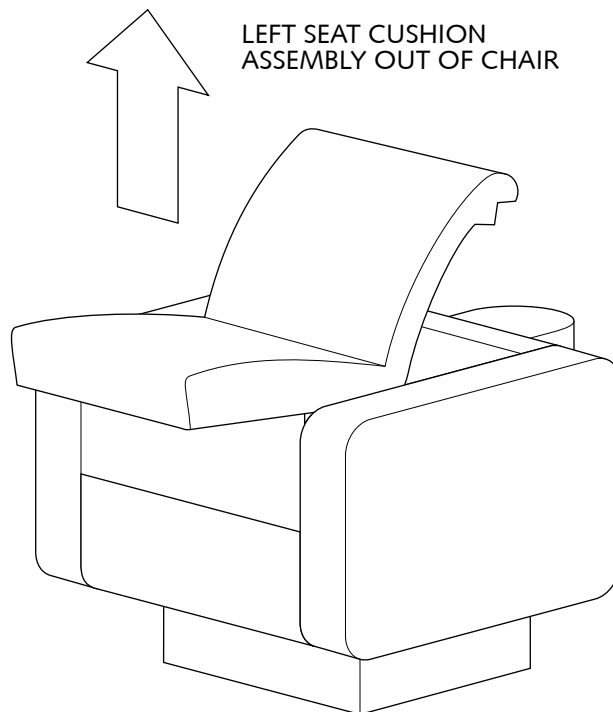


Produced by: J. Baer	Date: 02/09	Amended:	Version: 1	Backwash System	Plush
----------------------	-------------	----------	------------	-----------------	-------

INSTALL THE CHAIR (cont.)

5. Lift the seat cushion assembly out of the chair. The cushion is fitted with two metal channels under the front edge of the cushion. These rest on metal bars on the frame. No screws or other fasteners are used.
6. Set the unit in place. Lift it over the plumbing stubs and align the four (4) holes in the bottom of the metal frame with the four holes/anchors (if used) in the floor. Be careful to avoid bumping or damaging the plumbing stubs in the floor.
7. Fasten the unit to the floor with your fasteners. (See NOTE on Page 2.)

CAUTION: Plumbing alone will NOT hold the unit in place.



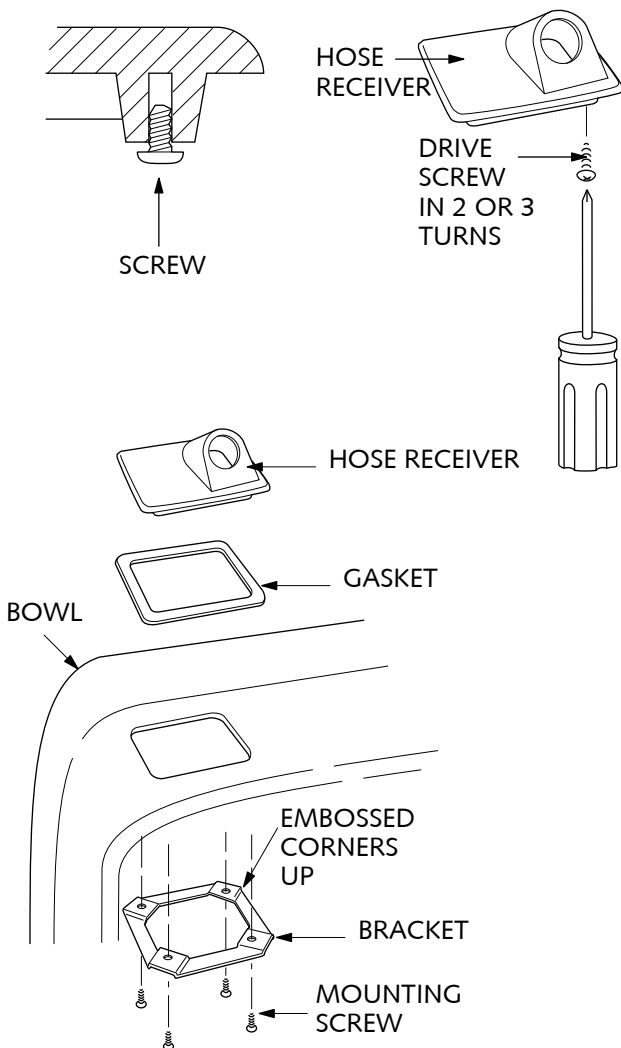
Produced by: J. Baer	Date: 02/09	Amended:	Version: 1	Backwash System	Plush
----------------------	-------------	----------	------------	-----------------	-------

IMPORTANT NOTES:

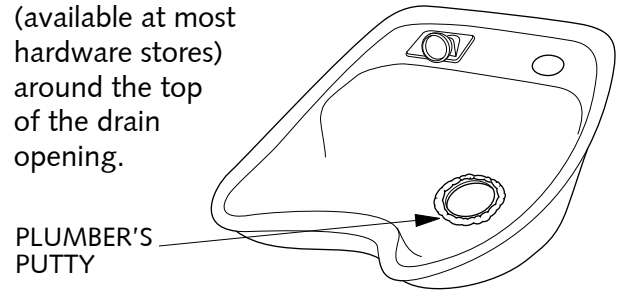
Read through these instructions before beginning work to familiarize yourself with the various components. Install the hose receiver and drain in the bowl before attaching the bowl to the metal base. You may need to work with a helper to install these units.

Any conformance with LOCAL CODES or INSPECTIONS is the RESPONSIBILITY OF THE PURCHASER.

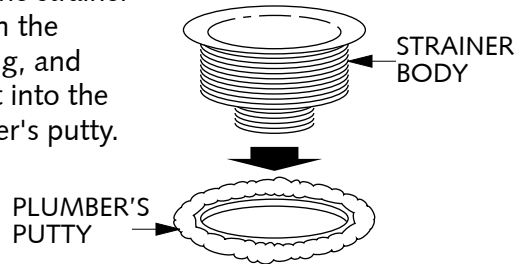
1. Install the hose receiver. To make the hose receiver installation easier, complete these steps to cut screw threads in the hose receiver mounting holes:
 - Take a mounting screw and drive it 2 or 3 turns into one hole. **DO NOT OVERTIGHTEN.**
 - Remove the screw.
 - Repeat for all four (4) mounting holes.
2. Place the hose receiver gasket on the bottom of the hose receiver. Place the hose receiver onto the bowl.
3. Fasten the hose receiver to the bowl with four screws and the bracket. Be sure the embossed corners of the bracket are against the underside of the bowl (facing up).



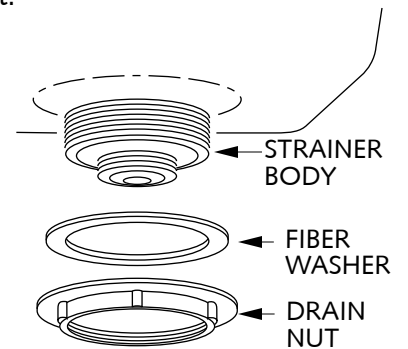
4. Apply a liberal amount of plumber's putty (available at most hardware stores) around the top of the drain opening.



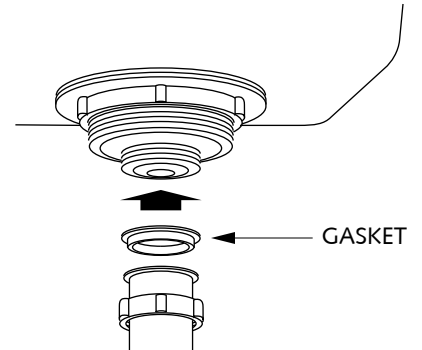
5. Place the strainer body in the opening, and press it into the plumber's putty.



6. From the underside of the bowl, place the fibre washer over the strainer body. Secure the strainer body with the nut. **DO NOT OVERTIGHTEN.** When the strainer body is tightened securely, clean off any excess plumber's putty.



7. Attach the gasket and tailpiece/drain hose assembly to the strainer body. **DO NOT OVERTIGHTEN.**

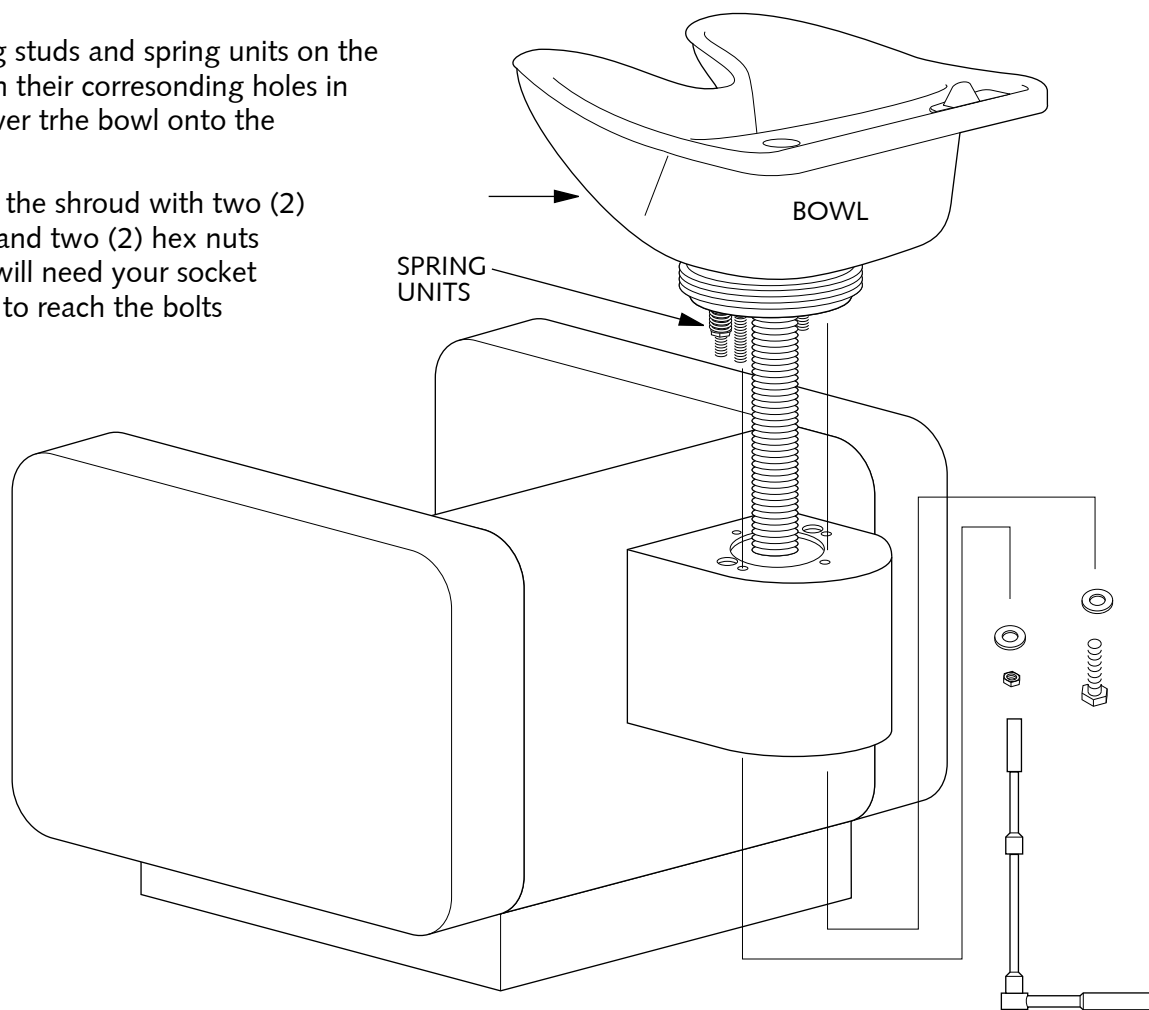
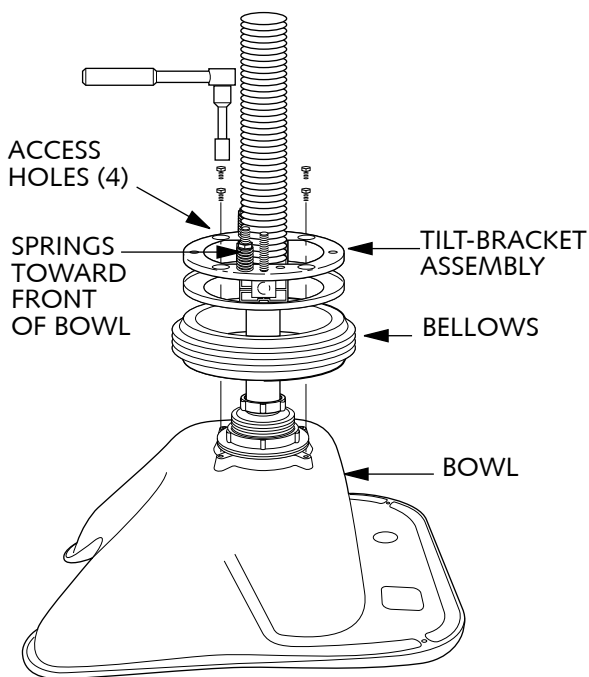


Produced by: J. Baer	Date: 02/09	Amended:	Version: 1	Backwash System	Plush
----------------------	-------------	----------	------------	-----------------	-------

8. Assemble the bowl, bellows and tilt-bracket assembly. Place the bowl upside-down on a padded surface
9. Stretch the bellows over the tilt bracket assembly.
10. Align the tilt bracket assembly and bellows with four mounting holes on the bottom of the bowl. The springs should be facing up and oriented toward the front of the bowl.
11. Fasten the tilt bracket and bellows to the bowl with four hex head bolts provided. A 1/4" - drive or 3/8" - drive ratchet wrench with an extension and 7/16" socket will make this easier. Note that there are four large access holes in the spring side of the bracket assembly. Start all four bolts into the threaded holes in the bowl, then tighten them.

INSTALL THE BOWL

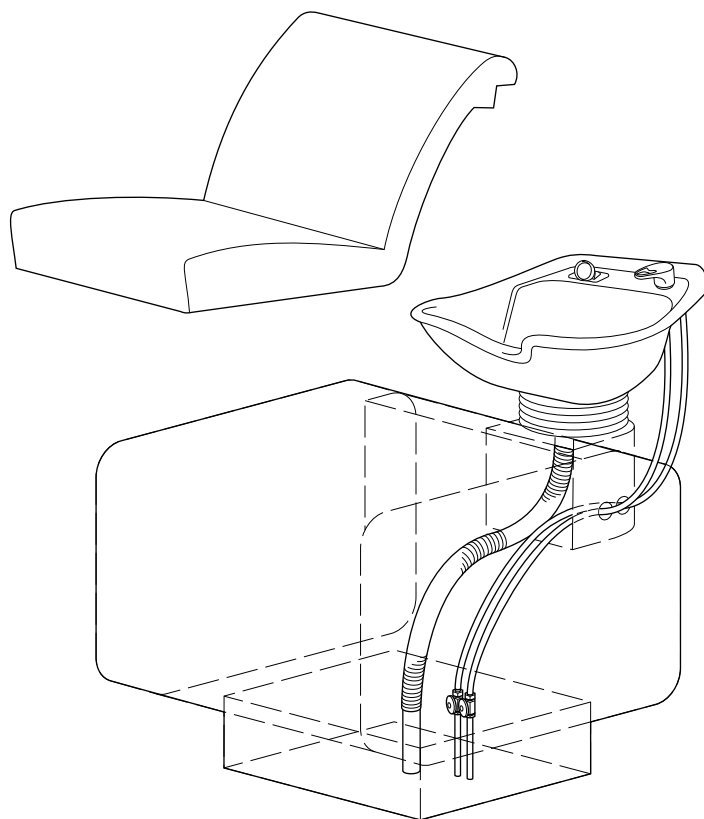
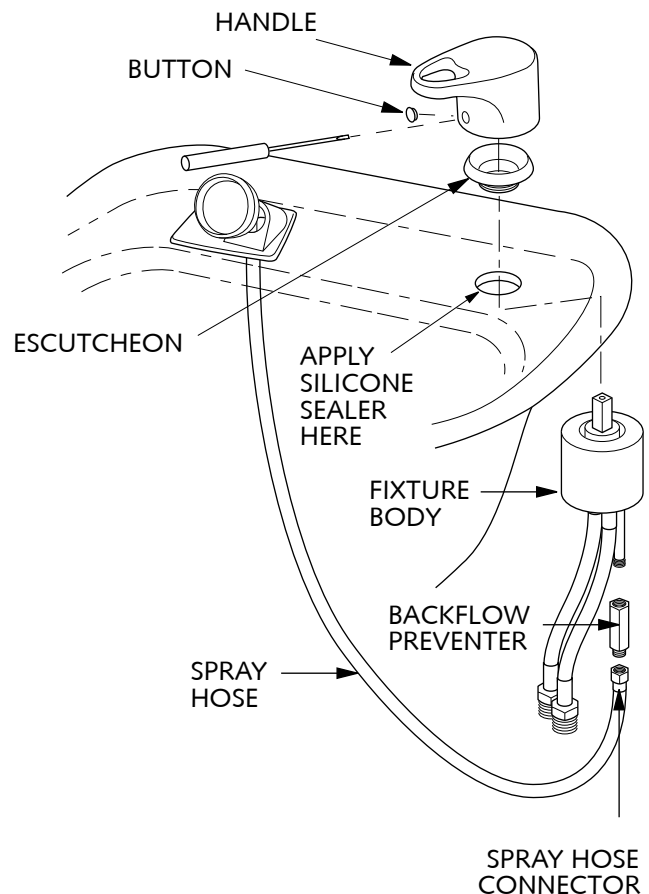
12. Lift the bowl assembly over the bowl shroud and place the drain hose through the hole in the shroud.
13. Align the mounting studs and spring units on the tilt mechanism with their corresponding holes in the shroud and lower the bowl onto the shroud.
14. Fasten the bowl to the shroud with two (2) bolts and washers and two (2) hex nuts and washers. You will need your socket wrench extensions to reach the bolts and nuts.



Produced by: J. Baer	Date: 02/09	Amended:	Version: 1	Backwash System	Plasti
----------------------	-------------	----------	------------	-----------------	--------

INSTALL THE FIXTURE

1. Remove the blue and red button from the front of the handle.
 2. Using a small, flat-blade screwdriver, loosen the set-screw in the handle and lift the handle off of the fixture.
 3. Unscrew the escutcheon from the fixture body.
 4. Apply a bead of silicone sealer around the fixture hole in the bowl.
 5. Place the fixture body on the underside of the fixture hole.
 6. From the top side of the bowl, screw the escutcheon onto the fixture.
 7. Place the handle onto the fixture. Tighten the set screw located in the hole for the button.
 8. Replace the button with the red side to the left, blue side to the right.
 9. If using a 603 Backflow Preventer, screw it onto the outlet of the fixture. Seal threads with Teflon tape.
 10. Place the connector end of the spray hose through opening in the hose receiver and screw it onto the fixture outlet (or Backflow Preventer).
 11. Connect the hot and cold supply lines and flexible drain to stubs.
 12. Turn on water and check for leaks.
 13. Replace seat cushion assembly
- IMPORTANT!** Code-approved flexible reinforced connector hoses or pipes **MUST** be used to connect the fixture to the hot and cold supply stubs.



IMPORTANT!

It is the responsibility of the plumber/installer and the owner to make certain that the installation meets and conforms to all prevailing local codes.

Produced by: J. Baer

Date: 02/09

Amended:

Version: 1

Backwash System

Plush